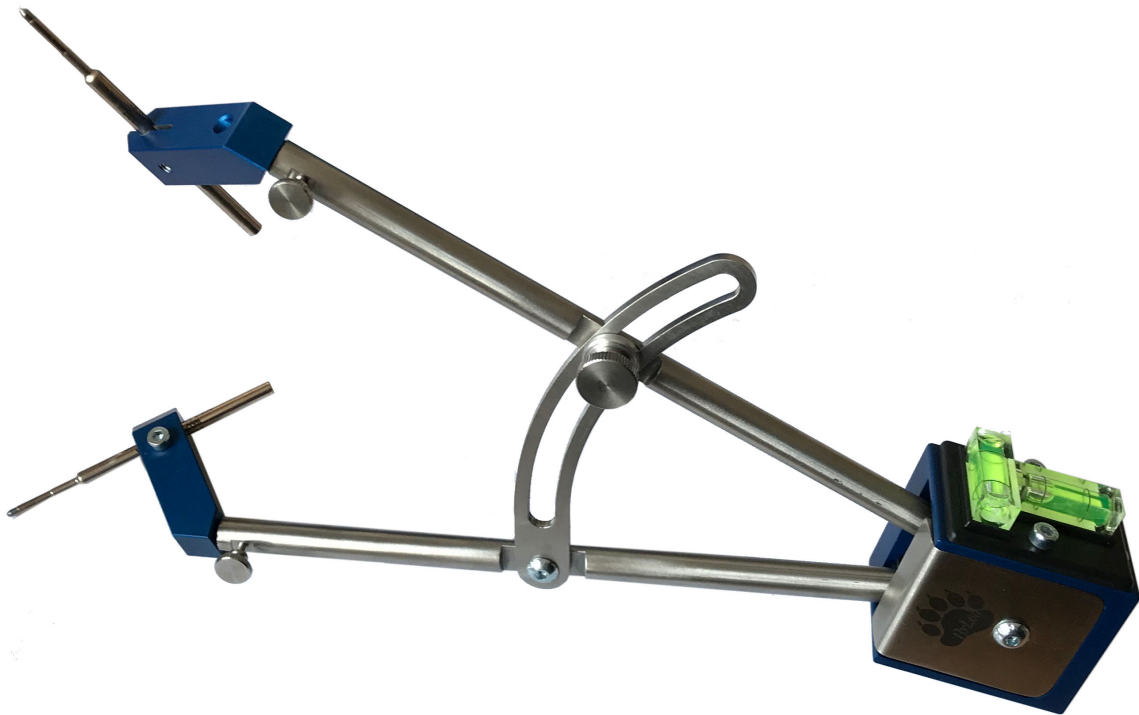




BrLog Scriber

OWNER'S MANUAL



February 2019



Thank you for purchasing the BrLog Scriber

Thank you for choosing the BrLog Scriber. BrLog believes in sharing innovative technology, which is designed to be long-lasting, user-friendly and reliable. This product was intensively tested and during and after production it underwent stringent quality control checks.

This manual contains important information on using your scriber. We recommend reading it carefully and following the instructions. Further information about BrLog products can be found at www.BrLogScribers.com. If you have any further queries or suggestions do not hesitate to contact us.

What's in the box?

When you open the case insure that the parts are not damaged:

- BrLog Scriber
- two pen-holders with pens
- hexagonal Allen key
- set of spare screws

Technical data

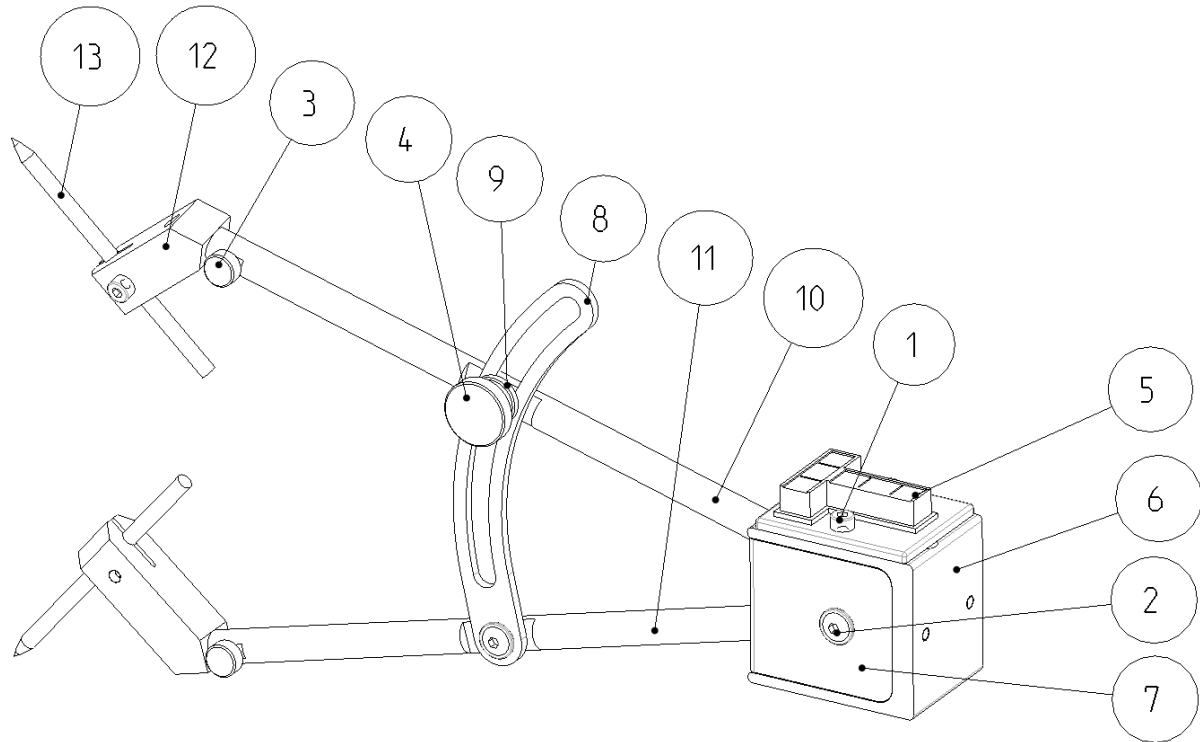
Box dimensions: 83mm X 273mm X 340mm

Weight of scriber: 600g

Length of scriber legs: 200mm

Scribe setting: 20mm-255mm

Parts list:



POS.	NAME	QTY.
1	SCREW M4X8	4
2	SCREW M5X8	3
3	KNOB M3X4	2
4	KNOB M5X10	1
5	BUBBLE VIALS	1
6	HOUSING	1
7	COVER	1
8	RAIL	1
9	WASHER	1
10	RIGHT LEG ASSY	1
11	LEFT LEG ASSY	1
12	PEN-HOLDER ASSY (incl. pen-holder, pin d5x25, screw M4X14)	2
13	PEN cartridge	2



How to assemble and adjust the BrLog Scriber

The aim of this manual is to teach you how to assemble and operate the BrLog Scriber, not how to scribe logs. To learn the art of scribing logs there are many books, courses and online videos for that.

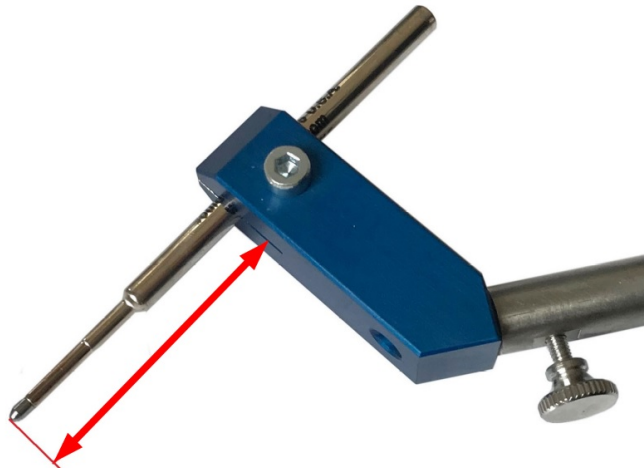
Installing the Pens:

With the BrLog Scriber use only Fisher Space Pen refills as they work well outdoors in all temperatures and on damp wood. The ink is permanent and will not wash off. You can use rubbing alcohol to clean the ink from your fingers or to clean any residue from the pen.

Replacement cartridges can be ordered from either the BrLog website or directly from www.spacepen.com. Request the **PR-4B** refill as that is the only one which will fit this scriber.

Setting the pen in the holder:

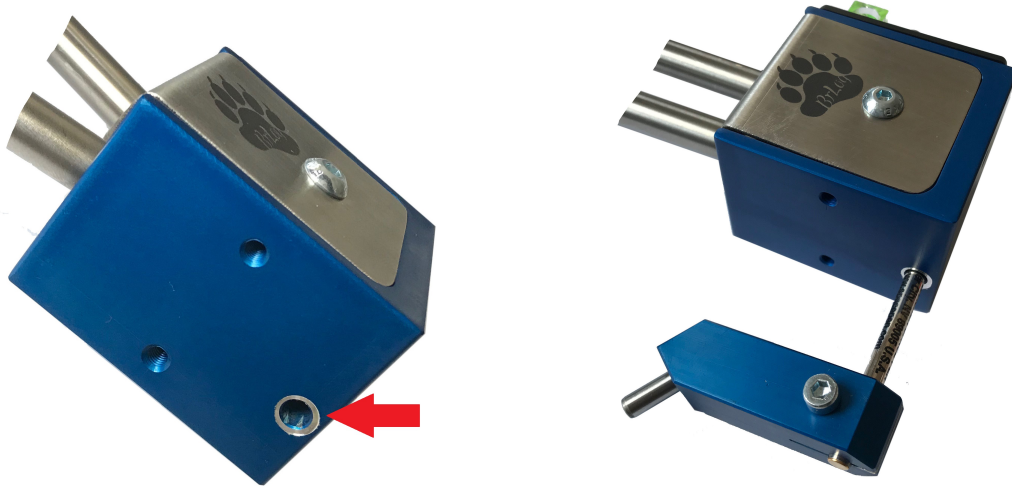
Your scriber will work correctly only if the pen point is set the correct distance in the pen holder.



STEP 1: Insert the new cartridge in the pen-holder so that its end is flush with the pen holder. Refer to the following picture.



STEP 2: Insert the pen cartridge, with pen-holder attached, into the hole on the main housing of the scribe; it is marked by a white ring (see diagram below). Push the pen cartridge to the end of the hole.



STEP 3: Slide the pen-holder tight to the body of the housing. Hold everything in place while you tighten the M4x14 screw with the supplied allen key. This will hold the pen cartridge in place.

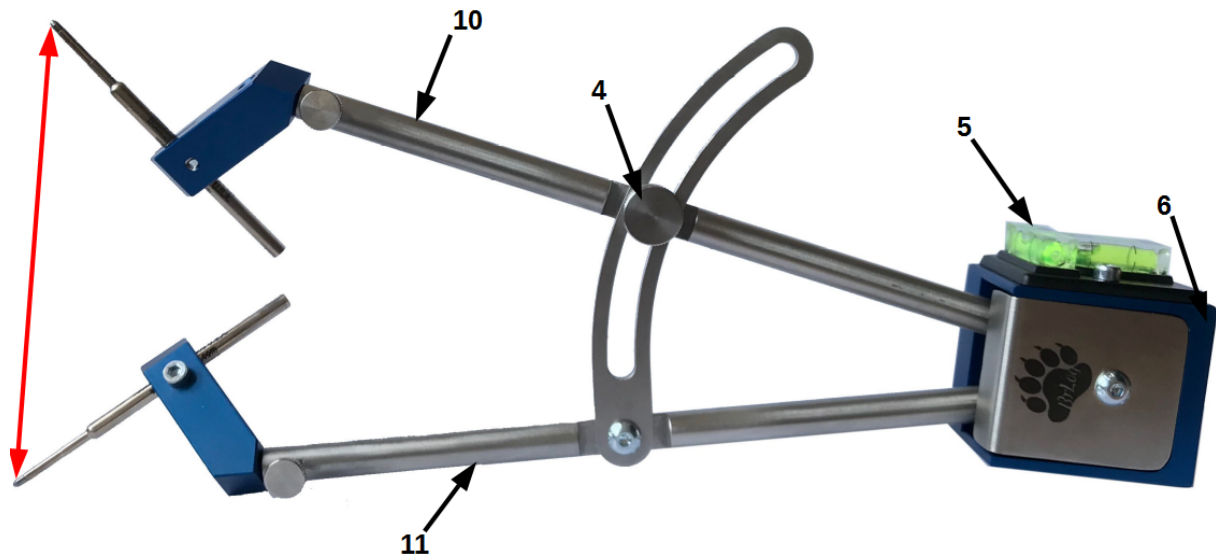


NEVER change the position of the pen cartridge in order to set the bubble vials. The vials will always be in the correct position if the pen cartridge is positioned as per the previous instructions.



Adjusting the scribe setting:

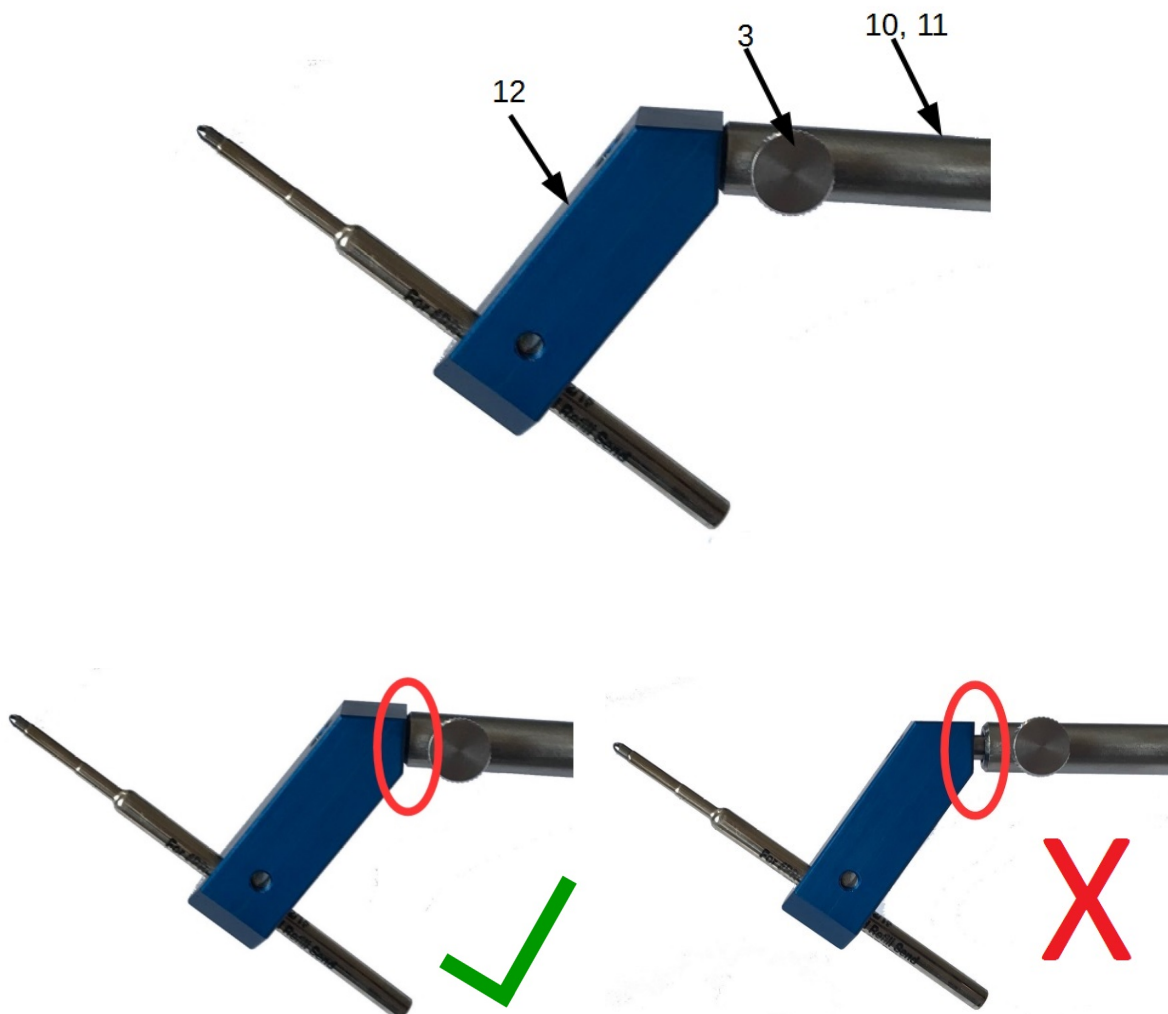
The distance between the pen points is called the “scribe setting”. To set the scribe setting you need to loosen the M5X10 knob (4), move scribe legs (10 and 11) to the desired distance and then tighten M5X10 knob (4). You will never need to check the BrLog Scriber on a plumb board because the gears in the housing (6) will hold the bubble vials (5) in the correct position! Rough notch so, that your final scribe is 80mm or more.



Rotating pen-holders:

Fisher Space Pens work best when they are at a 90° angle to the log. To achieve an accurate line sometimes it is necessary to rotate the pen-holders (12) – especially when you are scribing notches. You can rotate the pen-holders (12) by loosening off the adjustment knob (3). Make your adjustment and then retighten the knob (3). Upon tightening the knob (3), ensure that the pen holder (12) is tight to the scriber arms (10, 11). Refer to the following diagrams.

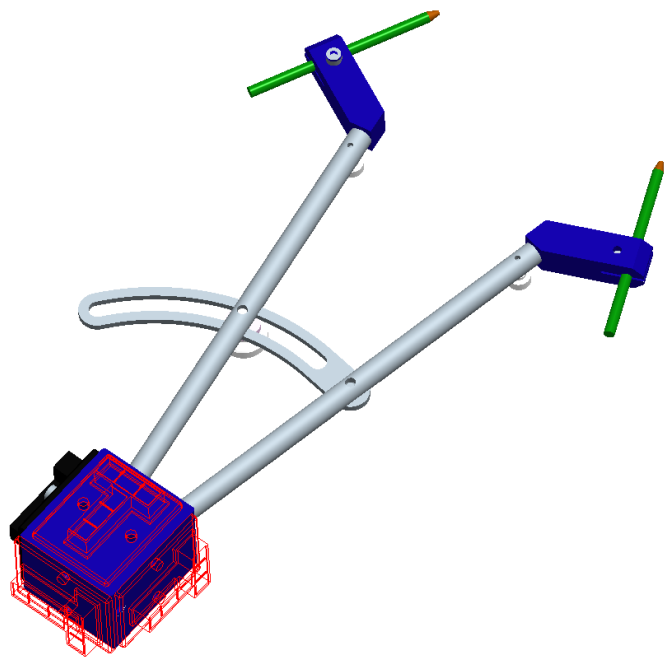
If you require a small scribe setting rotate each pen-holder (12) in opposite directions in order that they bypass each other. Avoid scribe settings smaller than 50mm.



Scribing in different positions:

The BrLog Scriber can be used in 3 different positions. You can scribe vertically (lateral grooves and notches), horizontally (scribing trim to fit a log wall) and with the scriber in the plumb position (to make a good fit between wall logs and the floor).

All of this can be achieved by unscrewing the two M4X8 screws (1), and then move the bubble vial (5) to one of the other positions. After repositioning the vial, retighten the two M4X8 screws (1). The position of the vials can be viewed in the picture to the right.



A unique feature of the BrLog Scriber is that it can be used by those who are left handed.

Simply move the vials to the appropriate side for the task you are about to perform. Then unscrew M5X8 (2) and knob M5X10 (5), which holds the rail (8) in position. Turn the rail around and change position of screw and knob.



When using the unit always watch the vials and be aware of the pressure you are applying to the pens!

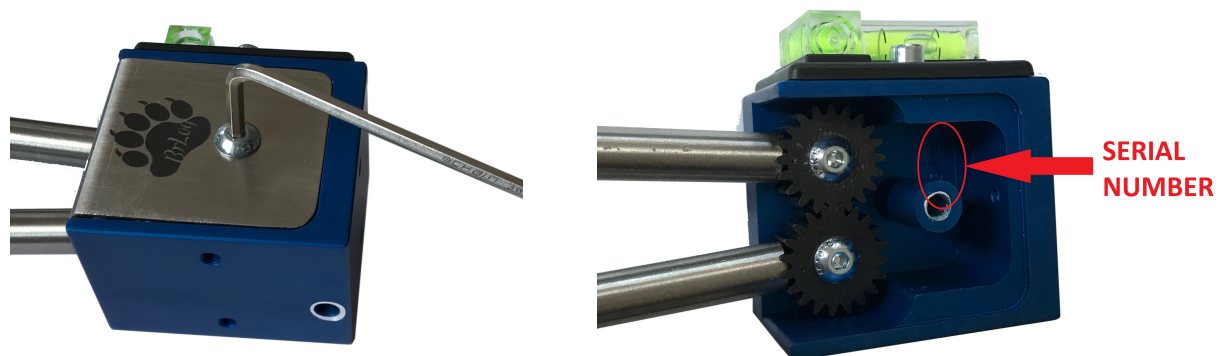


Storage

Always store the BrLog Scriber in its case and in a dry, warm place. Storing the unit in extremely hot places may damage the vials and the accuracy of the tool.

Cleaning

Your BrLog Scriber should be cleaned after each use, using a soft brush, cloth or gentle use of compressed air. Do not use a wire-brush or abrasive cleaning agents as they may damage the unit. Periodically open up the housing and clean the gears with a brush or gentle use of compressed air. Do NOT grease or oil the gears as lubricants attract dirt and dust. After cleaning the gears, replace the cover.



Troubleshooting

Scribing is not accurate:

- Reset the pen length.
- Pen must be tightly secured in place.
- Make sure there is no gap between pen-holder and scriber legs.
- Keep bubble always inside the vial's lines during scribing.
- Always watch the bubble vials from on top (never from the side)!
- Check that the pens are straight and not bent. If the pens are bent, replace them. The pens may have become damaged by excessive force being applied while in use or the unit had been dropped.

Pen doesn't write:

- Rotate the pen-holder to ensure that the pen tip is in contact with the log at about 90°. If the pen touches the log at a sharp angle it won't write!
- If the tip of the pen is clogged, put it into alcohol for a few seconds, then dry it off and try to write with it. Repeat if necessary.
- Replace the pen cartridge if it is out of ink.



It's hard to move scriber legs:

- Clean the gear mechanism as described in this manual.

If the scriber is dropped on the ground:

- Replace Fischer cartridges in any case. Almost certainly cartridges are deformed.
- Visually check the main housing (6) to see if it is damaged. Replace it if necessary.
- Visually check the vial bubbles (5) to ensure that they are not broken. Replace them if necessary.
- Visually check that the scriber legs (10 and 11) are still straight. Replace them if necessary.
- Check if the rail (8) is working smoothly. Replace it if necessary.

Repair

Repairs should be either by the manufacturer or someone who is conversant with the tool. All replacement parts for the BrLog Scriber may be ordered online from www.BrLogScribers.com.

Disposal

The BrLog Scriber is manufactured from 4 types of material. Aluminum, structural steel, stainless steel and polypropylene. These materials can be responsibly recycled. When you wish to dispose of your scriber, return it to BrLog. Contact us at www.BrLogScribers.com for a return address.